

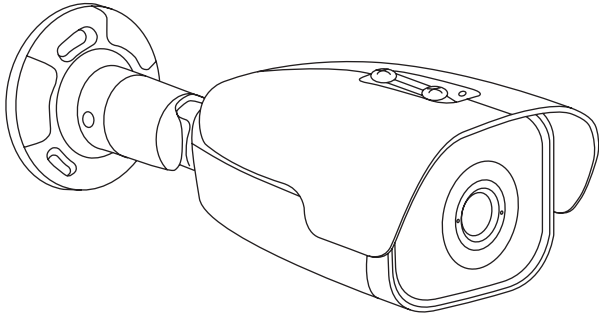


# ICI

---

INFRARED CAMERAS INC

## FMX 300X P-SERIES QUICK START GUIDE



ICI cameras fall under US Federal Law and Export Control.

2105 W. Cardinal Dr. Beaumont, TX 77705  
Phone: (409) 861-0788  
Toll Free: (866) 861-0788  
infraredcameras.com  
support@infraredcameras.com  
We Are IR™

©Copyright 2024, Infrared Cameras, Inc. - All rights reserved. The contents of this document may not be reproduced in whole or in parts without the written consent of the copyright owner.

Printed in the United States of America.

2105 W. Cardinal Dr.  
Beaumont, TX 77705  
(866) 861-0788  
[www.infraredcameras.com](http://www.infraredcameras.com)

Revision: 01-2024-001

THE MANUFACTURER RESERVES THE RIGHT TO ALTER THE SPECIFICATIONS OF THE PRODUCT WITHOUT PRIOR NOTIFICATION. THE MANUFACTURER ALLOWS HIMSELF THE RIGHT TO MODIFY WITHOUT ANY PRELIMINARY OPINION THE TECHNICAL SPECIFICATIONS OF THE PRODUCT. THIS MANUAL MAY CONTAIN TECHNICAL INACCURACIES OR TYPOGRAPHICAL ERRORS.

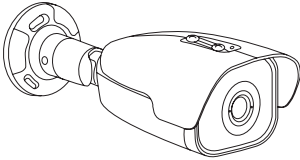
NOTICE ALL STATEMENTS, INFORMATION, AND RECOMMENDATIONS IN THIS MANUAL ARE BELIEVED TO BE ACCURATE BUT ARE PRESENTED WITHOUT WARRANTY OF ANY KIND. NOTWITHSTANDING ANY OTHER WARRANTY HEREIN, ALL DOCUMENT FILES AND SOFTWARE ARE PROVIDED "AS IS" WITH ALL FAULTS. ICI DISCLAIMS ALL WARRANTIES, EXPRESSED OR IMPLIED, INCLUDING, WITHOUT LIMITATION, THOSE OF MERCHANTABILITY, FITNESS FOR A PARTICULAR PURPOSE AND NONINFRINGEMENT OR ARISING FROM A COURSE OF DEALING, USAGE, OR TRADE PRACTICE.

THE SOFTWARE LICENSE AND LIMITED WARRANTY FOR THE ACCOMPANYING PRODUCT ARE SET FORTH IN THE INFORMATION PACKET THAT SHIPPED WITH THE PRODUCT AND ARE INCORPORATED HEREIN BY THIS REFERENCE. IF YOU ARE UNABLE TO LOCATE THE SOFTWARE LICENSE OR LIMITED WARRANTY, CONTACT YOUR ICI REPRESENTATIVE FOR A COPY.

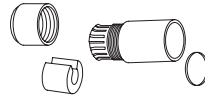
IN NO EVENT SHALL ICI BE LIABLE FOR ANY INDIRECT, SPECIAL, CONSEQUENTIAL, OR INCIDENTAL DAMAGES, INCLUDING, WITHOUT LIMITATION, LOST PROFITS OR LOSS OR DAMAGE TO DATA ARISING OUT OF THE USE OR INABILITY TO USE THIS MANUAL, EVEN IF ICI HAS BEEN ADVISED OF THE POSSIBILITY OF SUCH DAMAGES.

## Package Includes

---



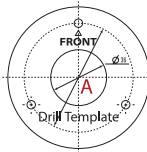
FMX 300X



Waterproofing Kit



Anchors x3



Alignment Guides



Screws x3



Hex Wrench



Memory Card

**ENSURE ALL SYSTEM EQUIPMENT AND COMPONENT ITEMS ARE PRESENT BEFORE BEGINNING INSTALLATION**

# Installation

---

USE THE ALIGNMENT GUIDES TO DRILL HOLES FOR SETTING DEVICE SCREWS.

DO NOT USE TOO LONG SCREWS WHEN INSTALLING THE DEVICE. USING SCREWS THAT ARE TOO LONG MAY DAMAGE THE THERMAL CAMERA.

THE INSTALLATION WALL SHOULD BE ABLE TO BEAR AT LEAST 4 TIMES THE WEIGHT OF THE CAMERA AND INSTALLATION ACCESSORIES.

THE INSTALLATION WALL SHOULD BE ABLE TO BEAR AT LEAST 4 TIMES THE WEIGHT OF THE CAMERA AND INSTALLATION ACCESSORIES.

IF THE INSTALLATION SITE IS A CONCRETE WALL OR CEILING, FIRST INSTALL EXPANSION SCREWS; THEN, INSTALL THE BRACKET. THE INSTALLATION HOLES OF THE EXPANSION SCREWS NEED TO BE IN LINE WITH THE BRACKET.

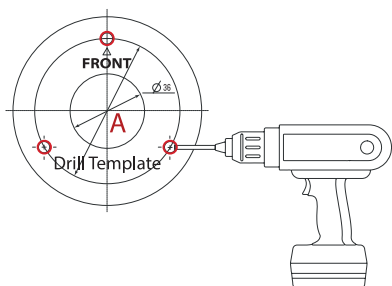
IF THE INSTALLATION SITE IS A WOODEN WALL, USE SELF-TAPPING SCREWS TO INSTALL THE BRACKET DIRECTLY.

THE DEVICE HAS FIXED FOCUS; THEREFORE, BEFORE INSTALLING THE DEVICE, PLEASE SELECT AN INSTALLATION POSITION AND LENS FOCAL LENGTH ACCORDING TO THE APPLICATION REQUIREMENTS TO ACHIEVE THE CORRECT FOCUS.

WHEN TRANSPORTING THE CAMERA, DO NOT LIFT, CARRY, OR PULL THE DEVICE BY THE CABLE. LIFTING, CARRYING, OR PULLING THE DEVICE BY THE CABLE MAY AFFECT THE WATERPROOF PERFORMANCE OF THE CAMERA OR CAUSE WIRING PROBLEMS.

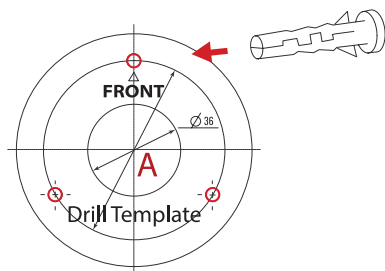
**A.**

Place the alignment guide on the mounting position and drill three  $\phi 5$  mounting holes according to the markers on the alignment guide.



**B.**

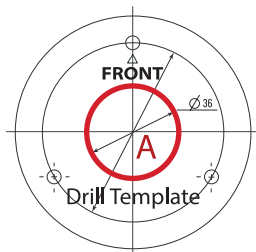
Insert the expansion screws into the drilled holes.



The recommended depth is 25mm.

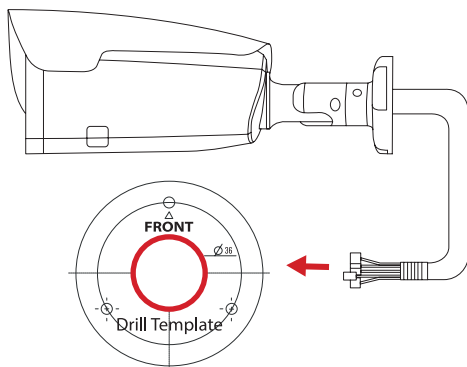
**C.**

Open a  $\phi 36$  hole with "A" as the center of the circle according to the sticker.

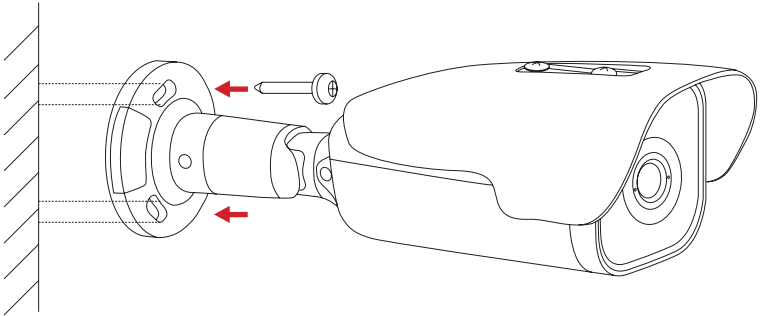


**D.**

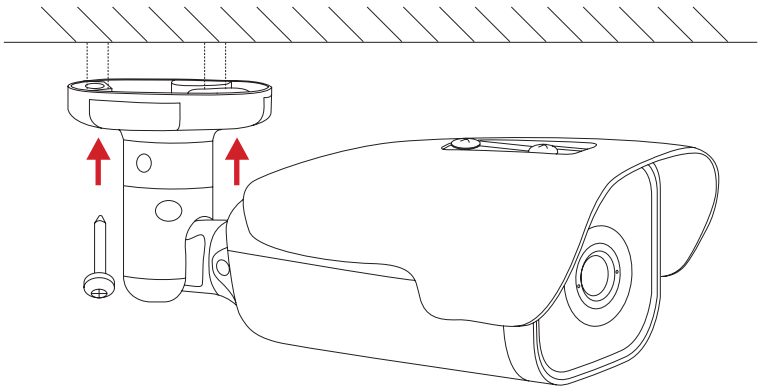
Pass the tail wire of the camera through the A hole, then use screws to fix the camera to the mounting position.



## Wall Mounting



## Ceiling Mounting



**IF THE INSTALLATION SITE IS A CONCRETE WALL OR CEILING, FIRST INSTALL EXPANSION SCREWS; THEN, INSTALL THE BRACKET. THE INSTALLATION HOLES OF THE EXPANSION SCREWS NEED TO BE IN LINE WITH THE BRACKET.**

**IF THE INSTALLATION SITE IS A WOODEN WALL, USE SELF-TAPPING SCREWS TO INSTALL THE BRACKET DIRECTLY.**

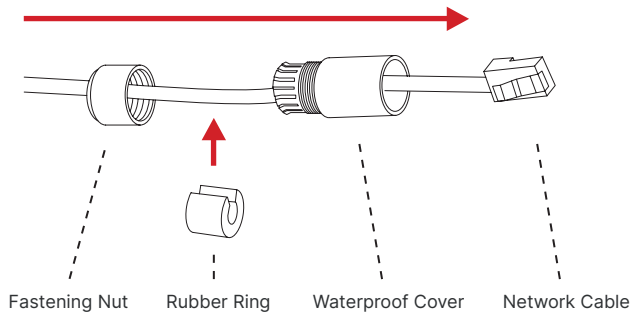
**WHEN USING THE CAMERA, INSTALL THE WATERPROOFING KIT TO PREVENT WATER FROM ENTERING THE NETWORK CABLE.**

**E.**

Pass the network cable through the fastening nut and the main body of the waterproof cover.

**F.**

Place the rubber ring on the network cable between the main body of the waterproof cover and the fastening nut.

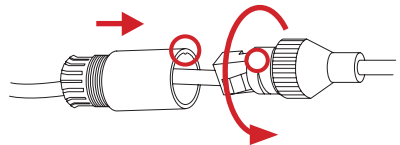
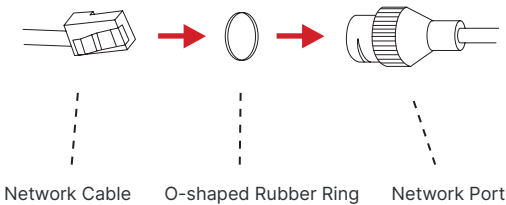


**G.**

Put the O-shaped rubber ring into the network port, and insert the network cable into the network port.

**H.**

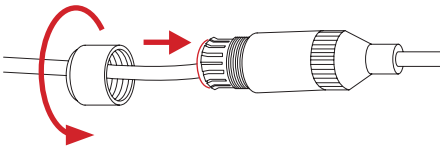
Align the notch of the network port with the buckle of the main body of the waterproof cover, put the main body of the waterproof cover into the end of the network port, and tighten it clockwise.



**IN ORDER TO ENSURE THE NETWORK SECURITY OF THE CAMERA, IT IS RECOMMENDED IT CONDUCT REGULAR NETWORK SECURITY ASSESSMENT AND MAINTENANCE OF NETWORK SYSTEMS.**

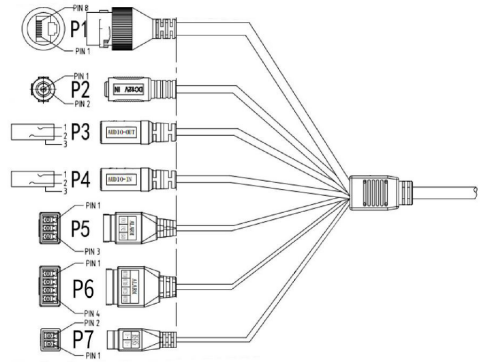
**I.**

Insert the waterproof rubber ring into the main body of the waterproof cover. Turn the fastening nut clockwise and press the waterproof rubber ring tightly.



**J.**

ICI recommends having a service professional connect the device to facility networks and power sources.



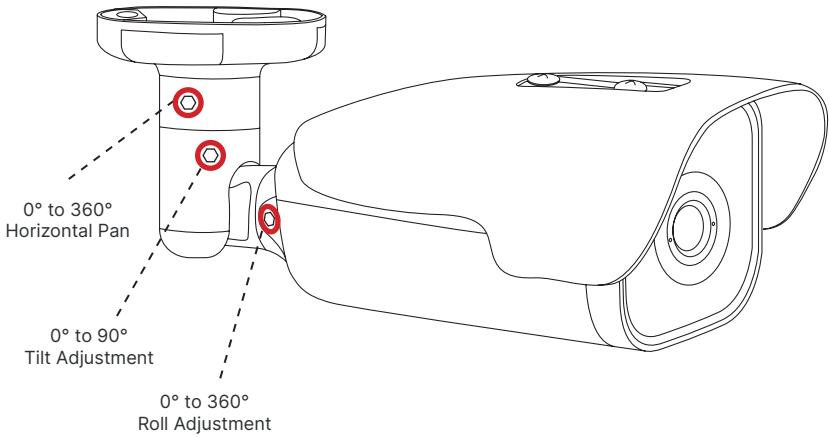
### Cable Definitions

- P1 network interface (LAN)
- P2 power interface (DC12V)
- P3 audio output (AUDIO OUT)
- P4 audio input (AUDIO IN)
- P5 alarm input (ALARM IN): PIN 1(ALARM-IN1) and PIN 2(ALARM-IN2) are alarm input, PIN 3 is GND;
- P6 is alarm output (ALARM OUT): pin\_1(ALARM-OUT1) and in\_2(ALARM-COM1) are channel 1 alarm output; pin\_3(ALARM-OUT2) and pin\_4 (ALARM-COM2) is channel 2 alarm output;
- P7 RS-485 interface (RS485)



## K.

Use the Hex Wrench to loosen the lock nuts indicated and adjust the angle of the device by turning or rotating the device. Tighten the lock nuts when device is properly aligned.



## L.

Power on the device.

## M.

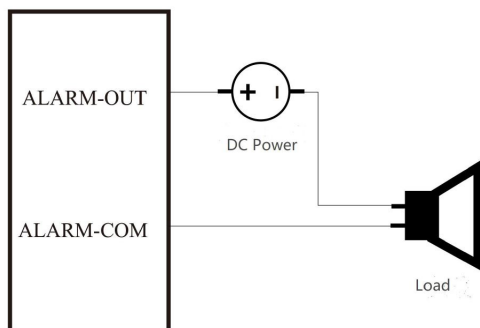
Connect to the device through an Internet browser.

**THE THERMAL IMAGER NEEDS SUFFICIENT WARM-UP TIME FOR THE MOST ACCURATE TEMPERATURE MEASUREMENTS AND BEST IMAGE QUALITY. THIS TIME CAN OFTEN VARY BY ENVIRONMENTAL CONDITIONS. IT IS BEST TO WAIT A MINIMUM OF 10 MINUTES FOR THE DEVICE TO COMPLETELY WARM-UP.**

## Alarm Interface

---

The camera can be connected to alarm switch signal (0~DC 5V) input and switch output (no voltage). An external power supply is required when connecting the alarm. The specific wiring method is shown in the figure below.

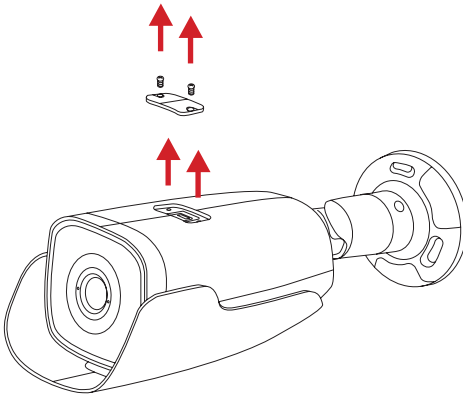


# Memory Card

---

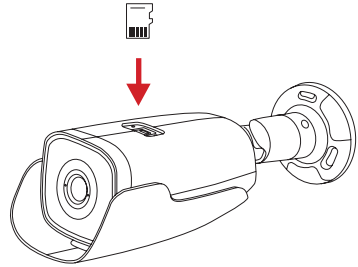
**A.**

Use a standard screwdriver to detach and remove the memory bay cover.



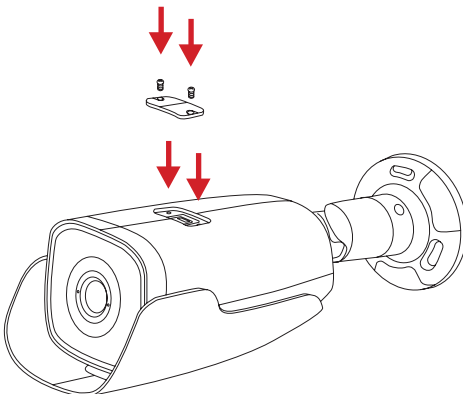
**B.**

Insert the Micro-SD Card into the top of the device until a clicking sound is heard.



**C.**

Use a standard screwdriver to replace the memory bay cover and screws.



## About ICI / Contact

---

Infrared Cameras, Inc.  
2105 W. Cardinal Dr.  
Beaumont, TX 77705

Phone: (409) 861-0788 | Toll Free: (866) 861-0788 | International: (409) 861-0788

General Inquiry: [support@infraredcameras.com](mailto:support@infraredcameras.com)

Website: [www.infraredcameras.com](http://www.infraredcameras.com)

You may reach a representative by phone or email Mon – Fri 8:00AM – 5:00PM CST.

ICI manufactures complete systems and software. We can provide complete engineering, software, and OEM solutions. Our Fortune 500 clients rely on us for infrared equipment and thermography training (which we offer through the Infrared Training Institute).

In addition to providing custom germanium, silica, and sapphire optics, we also build windows for enclosures, as well as custom pan and tilt units. We can even provide customizable explosion-proof systems.

Our knowledge and experience stems from years of using infrared imaging and temperature measurement instruments to provide solutions to: managers, engineers, scientists, inspectors and operators in space, power companies, medical, pulp and paper, food industry, research and development, and various process industries. You can see our products and services used in industrial, commercial, and government applications worldwide. Originally named Texas Infrared (still DBA), Infrared Cameras, Inc. has been in business since March, 1995.

Thank you for your dedicated and continued support.